

Double recycling technique for folded-cascode OTA

Zushu Yan · Pui-In Mak · R. P. Martins

Received: 3 May 2011 / Revised: 16 August 2011 / Accepted: 16 August 2011 / Published online: 28 August 2011
© Springer Science+Business Media, LLC 2011

Abstract Presented is a double-recycling folded cascode (DRFC) operational transconductance amplifier (OTA), demonstrating another phase of significant performance enhancement over the existing folded cascode, recycling folded cascode and improved recycling folded cascode counterparts. Theoretical treatments and computer simulations under the same 65 nm CMOS technology justify fairly the merits of the proposed DRFC OTA.

Keywords Operational transconductance amplifier (OTA) · Current recycling · Folded-cascode · CMOS

1 Introduction

Under the low-voltage constraints of nm-length CMOS technologies, current recycling has been emerged as a power- and area-efficient technique improving the general performances of folded-cascode (FC) operational transconductance amplifier (OTA). R. Assaad et al. [1] observed that $M3$ and $M4$ in the input stage of FC OTA (Fig. 1), originally just serving as bias current sources, can be exploited better in generating the effective transconductance. The resulting recycling folded cascode (RFC) OTA (Fig. 2a) demonstrates visibly increments of gain, bandwidth and slew rate without extra power or area. The significance of improvement is related with the factor K ,

which denotes the size ratio of the added current mirror ($M3a$ – $M3b$ or $M4a$ – $M4b$). K is upper-bounded by the constraint of a symmetrical output slew rate in differential implementation, i.e., bias current of the input and output stages should be matched [2]. As such, the boosting factor of RFC's transconductance is practically limited to <3 , no matter how large is the chosen K .

Recently, Y. L. Li et al. [3] proposed an improved recycling folded cascode (IRFC) OTA. As shown in Fig. 2(b), extra shunt current sources $M3c$ and $M4c$ are added to the input stage ($M13$ and $M14$ are entailed for matching the bias currents). Since the bias currents in the diode-connected transistors $M3b$ and $M4b$ are reduced, while those of $M1b$ and $M2b$ remain unaltered, this change allows using a higher K of 6. In this Letter, a double-recycling folded cascode (DRFC) OTA is proposed, which recycles the bias current of those shunt current sources once again, rendering itself higher performances with respect to those existing topologies. The details are described as follows.

2 Proposed DRFC OTA

Figure 3 shows the proposed DRFC OTA. The differential input pair is now replaced by a triplet ($M1a$ – $M2a$, $M1b$ – $M2b$, and $M1c$ – $M2c$) and the shunt current sources ($M3c$ – $M4c$) in Fig. 2(b) are replaced by current mirrors ($M3c$ – $M3d$ and $M4c$ – $M4d$). In this way, the shunt bias currents can be re-used once again for further performance improvements, with no power and area overheads.

Since RFC, IRFC and the proposed DRFC OTAs are modified from the original FC OTA (Fig. 1), properly setting the current mirror ratios can lead to fair comparison of the four types of OTAs in terms of effective transconductance, output resistance and slew rate. Suppose the

Z. Yan · P.-I. Mak (✉) · R. P. Martins
State-Key Laboratory of Analog and Mixed-Signal VLSI,
University of Macau, Macao, China
e-mail: pimak@umac.mo

R. P. Martins
Instituto Superior Técnico (IST)/TU of Lisbon, Lisbon, Portugal

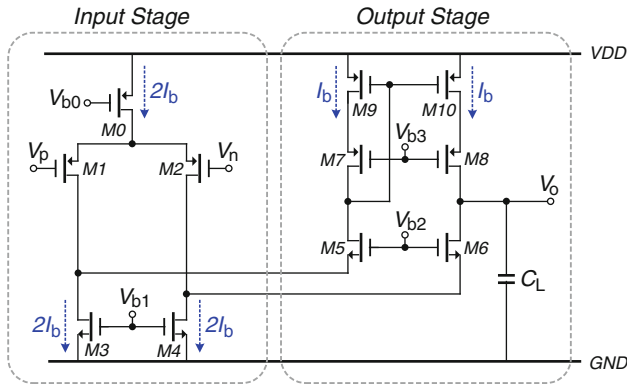


Fig. 1 A typical FC OTA

transconductance of FC OTA is G_m , then the effective transconductances of RFC, IRFC and DRFC OTAs can be given by,

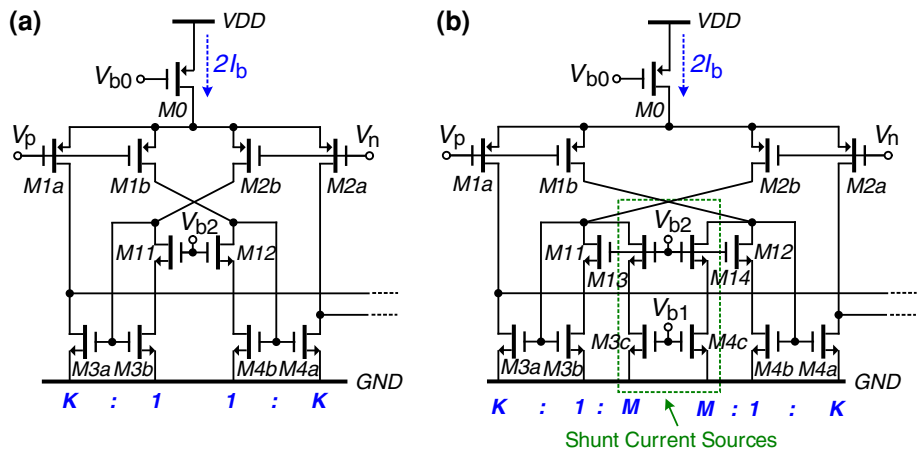
$$G_{mRFC} = \left[1 + \frac{2(K - 1)}{K + 1} \right] \cdot G_m \tag{1}$$

$$G_{mIRFC} = \left[1 + \frac{2(K - 1)(M + 1)}{K + M + 1} \right] \cdot G_m \tag{2}$$

$$G_{mDRFC} = \left[1 + \frac{2[K(2M + 1) - (M + N + 1)]}{K + M + N + 1} \right] \cdot G_m \tag{3}$$

As mentioned before, the maximum G_{mRFC} cannot exceed three times of G_m due to the symmetric slew-rate constraint. The IRFC features much freedom (i.e., factor M) due to the added shunt current sources, but the improvement can be more substantial by recycling such shunt current sources once again. For instance, with practical values of K , M , and N as 5, 2, and 1, respectively, the transconductance improvement of the proposed DRFC is 5.67/2.43/1.42 times higher than FC/RFC/IRFC. Consequently, the gain and gain-bandwidth product (GBW) of the proposed DRFC are the highest among them.

Fig. 2 a RFC OTA [1] and b IRFC OTA [3]. Output stage identical to FC OTA is omitted for clarity



For the output resistances of the four OTAs, they are given by,

$$R_{oFC} \approx g_{m6}r_{ds6}(r_{ds2} // r_{ds4}) // g_{m8}r_{ds8}r_{ds10} \tag{4}$$

$$R_{oRFC} \approx g_{m6}r_{ds6} \left(\frac{K + 1}{K - 1} r_{ds2} // \frac{K + 1}{K} r_{ds4} \right) // g_{m8}r_{ds8}r_{ds10} \tag{5}$$

$$R_{oIRFC} \approx g_{m6}r_{ds6} \left(\frac{K + M + 1}{K - M - 1} r_{ds2} // \frac{K + M + 1}{K} r_{ds4} \right) // g_{m8}r_{ds8}r_{ds10} \tag{6}$$

$$R_{oDRFC} \approx g_{m6}r_{ds6} \times \left(\frac{K + M + N + 1}{K - M - N - 1} r_{ds2} // \frac{K + N + M + 1}{K} r_{ds4} \right) // g_{m8}r_{ds8}r_{ds10} \tag{7}$$

For the same values of K , M , and N as listed above, and with practical assumptions of $g_{m6}r_{ds6} \approx g_{m8}r_{ds8}$, $r_{ds10} \approx r_{ds2} // r_{ds4}$, and $r_{ds2} \approx r_{ds4}$, the output resistance of DRFC is roughly 1.8/1.2/1.13 times higher than that of FC/RFC/IRFC, due to the further reduced bias current in $M1a$, $M2a$, $M3a$, and $M4a$. This fact further secures the gain-enhancement feature of the proposed DRFC.

For the slew rates of the four OTAs, suppose the FC OTA has a slew rate of SR_{FC} , the corresponding slew rates of RFC, IRFC, and DRFC are given by,

$$SR_{RFC} = K \cdot SR_{FC} \tag{8}$$

$$SR_{IRFC} = \frac{K(K + 1)}{K + M + 1} \cdot SR_{FC} \tag{9}$$

$$SR_{DRFC} = \frac{K(M + 1)}{M + N + 1} \cdot SR_{FC}. \tag{10}$$

For the same values of K , M , and N as listed above, SR_{DRFC} (also SR_{IRFC}) is just 0.75 times of SR_{RFC} , but is still three times higher than SR_{FC} . Nevertheless, these slew rates are just theoretical maximum values. In practice, the

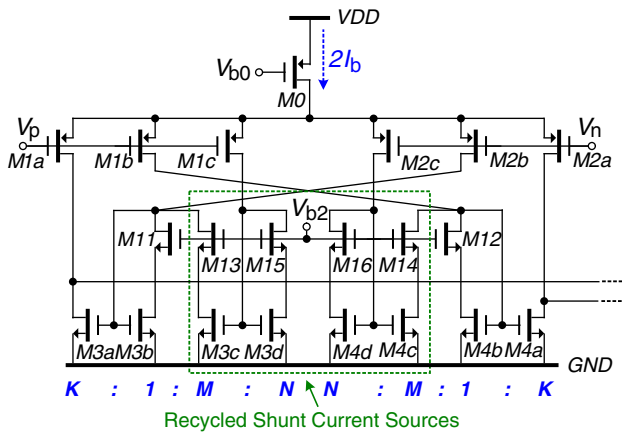


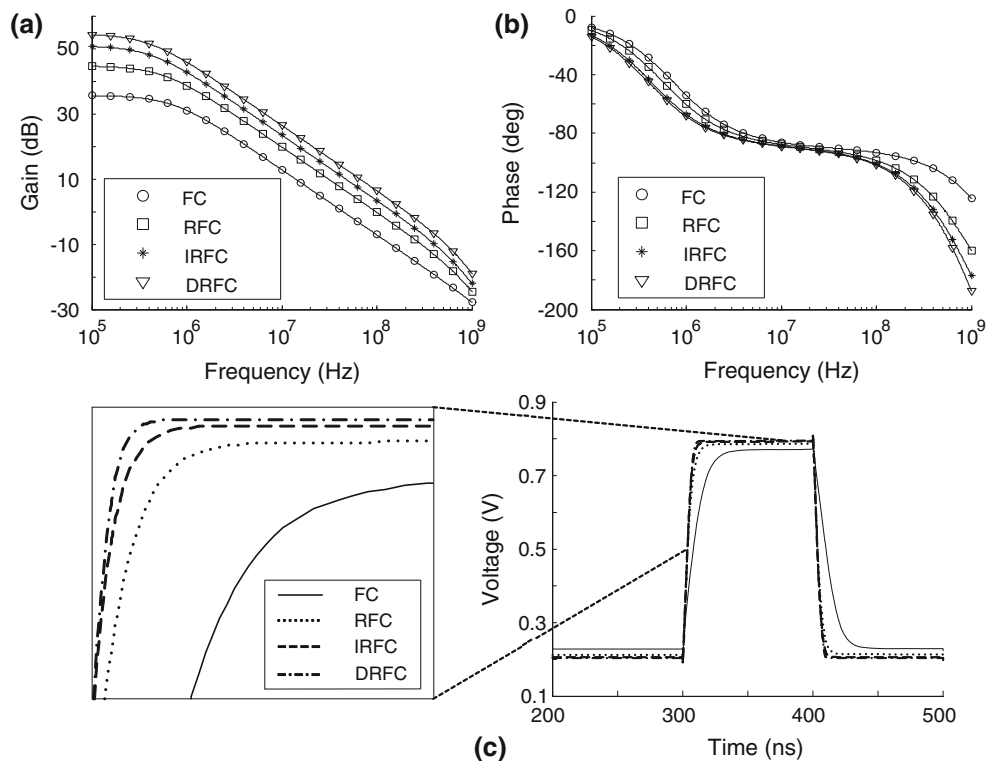
Fig. 3 Proposed DRFC OTA. Output stage identical to FC OTA is omitted for clarity

negative slew rate should be limited by the size and gate bias voltage of *M6* while the positive slew rate could be restricted by the supply voltage. Furthermore, the duration of OTA’s quasi-linear operation can contribute a significant portion to the settling behaviors. Due to the highest GBW of the proposed DRFC, its settling time should still be superior.

3 Simulation results

For a fair comparison among the four OTAs (FC, RFC, IRFC, and DRFC), they are designed under the same mirror

Fig. 4 Simulated (a) gain, (b) phase and (c) step responses of the proposed DRFC with respect to FC, RFC and IRFC OTAs



factors ($K = 5, M = 2$ and $N = 1$), power and area budgets in a 65 nm CMOS technology. The closed-loop test is of inverting unity-gain feedback configuration [1, 3]. As shown in Fig. 4(a), the DRFC shows roughly 20/10/4 dB higher DC gain than that of FC/RFC/IRFC. The GBW of DRFC, also shown in Fig. 4(a) is boosted by 4.6/2.1/1.4 times in comparing with that of FC/RFC/IRFC. In the step-response tests (Fig. 4c), due to the highest gain and largest GBW of the proposed DRFC, it also exhibits the most accurate and fastest settling behaviors among them.

Other performance metrics are summarized in Table 1. The proposed DRFC, due to enhanced gain and GBW, also shows better close-loop linearity, input-referred noise and figure-of-merits (FOMs). The slew rates are of the similar level as IRFC as expected. Due to the higher GBW of the proposed DRFC, its phase margin appears worse than that of RFC and IRFC (Fig. 4b). However, if they are compared at the same GBW (203 MHz), the incurred phase margin reduction is limited to $6^\circ/1.5^\circ$ comparing with RFC/IRFC.

The recycling technique can be further expanded by shunting *M3d* and *M4d* with other current mirrors. The degree of performance improvement is subject to the targeted phase margin.

4 Conclusion

A DRFC OTA showing another step of significant performance enhancement over the existing FC, RFC and IRFC

Table 1 Performance comparison of the four OTAs in the same 65 nm CMOS process

Parameters	FC	RFC	IRFC	DRFC
Supply voltage (V)	1			
Bias current (μA)	800			
Estimated area (μm^2)	20×24			
Capacitive load (pF)	10			
DC gain (dB)	35.6	44.7	50.8	54.5
GBW (MHz)	44.2	97.6	146.1	203.2
Phase margin (deg)	89.4	81.8	73.9	66.2
SR+/SR- (V/ μs)	27.2/26.8	69.6/79.7	84.9/88.1	84.1/91.6
1% Settling time (T_{s+}/T_{s-}) (ns)	37.4/35.8	17.7/15.5	12.9/11.4	10.7/9.54
IM3, 0.6V _{pp} at 1 MHz (dB)	-38.6	-45.1	-51.1	-54.4
Input referred noise (1 Hz–100 MHz) (μV_{rms})	36.0	31.6	26.0	25.8
FoM ₁ (MHz·pF/mA)	552.5	1,220	1,826	2,540
FoM ₂ [(V/ μs)·pF/mA]	337.5	746.5	865.0	878.5

Average slew rate (SR) is used to calculate FoM₂

counterparts is proposed. By recycling the shunt current sources in the input stage of IRFC OTA once again, the effective gain and GBW can be further boosted with no extra power and area, yet small reduction of phase margin. The results have been justified systematically and computationally in 65 nm CMOS.

Acknowledgments This work is funded by Research Committee of University of Macau and Macau Science and Technology Development Fund (FDCT).

References

1. Assaad, R., & Silva-Martinez, J. (2009). 'The recycling folded cascode: A general enhancement of the folded cascode amplifier'. *IEEE Journal of Solid-State Circuits*, 44(9), 2535–2542.
2. Gulati, K., & Lee, H. S. (1998). A high-swing CMOS telescopic operational amplifier. *IEEE Journal of Solid-State Circuits*, 33(12), 2010–2019.
3. Li, Y. L., et al. (2010). Transconductance enhancement method for operational transconductance amplifiers. *Electronics Letters*, 46(19), 1321–1323.



Zushu Yan (S'09) received the B.Sc. degree in Communication Engineering from the Beijing University of Posts and Telecommunications (BUPT), and the M.Sc. degree in Microelectronics from the Beijing Microelectronics Technology Institute (with honors), Beijing, China, in 2003 and 2006, respectively. He is currently working towards the Ph.D. degree in Electrical and Electronics Engineering at University of Macau, Macao, China. From April 2006 to

August 2009, he was an analog IC engineer and team leader at the Beijing Microelectronics Technology Institute, responsible for the

development of high-performance low-dropout regulators (LDOs) and high-voltage DC–DC converters in CMOS, BiCMOS, and BCD technologies. His current research interests include low-voltage low-power analog circuit techniques and analog techniques for wireless applications.



Pui-In Mak (S'00–M'08) received the BSEEE and PhDEEE degrees from University of Macau (UM), Macao, China, in 2003 and 2006, respectively. He was with Chipidea Microelectronics (Macao) Ltd. in summer 2003 as a Trainee Engineer. Since 2004, he has been with the Analog and Mixed-Signal VLSI Laboratory at UM as Research Assistant (2004–2006), Invited Research Fellow (2006–2007) and (Co-)Coordinator of the Wireless

(Biomedical) Research Line (2008–). He is currently Assistant Professor at UM. His research interests are on analog and RF circuits and systems for wireless and biomedical applications, and engineering education. Dr. Mak was a Visiting Fellow at University of Cambridge, UK and a Visiting Scholar at INESC-ID, Instituto Superior Técnico/UTL, Portugal in 2009. He served on the Technical/Organization Committees of numerous conferences such as APCCAS'08 and ISCAS'10. He co-initiated the GOLD Special Sessions in ISCAS'09–10. He is Associate Editor of IEEE TRANS. ON CAS I–REGULAR PAPERS (2010–2011), IEEE TRANS. ON CAS II–EXPRESS BRIEFS (2010–2011) and IEEE CASS NEWSLETTER (2010–). Dr. Mak (co)-received paper awards at ASICON'03, MWSCAS'04, IEEJ Analog VLSI Workshop'04, PRIME'05, DAC/ISSCC-SDC'05, APCCAS'08 and PrimeAsia'09. He received the *Honorary Title of Value* decoration from Macao Government in 2005; the *Clare-Hall Visiting Fellowship* from University of Cambridge UK in 2009; the *IEEE MGA GOLD Achievement Award* in 2009; the *IEEE CASS Chapter-of-the-Year Award* in 2009, the *UM Research Award* in 2010, and the *IEEE CASS Outstanding Young Author Award* in 2010. Dr. Mak is a Member of: IEEE GOLD Committee (2007–), CASS BOARD-OF-GOVERNORS (2009–2011), CASS PUBLICATION ACTIVITIES COMMITTEE (2009–2011), CASS WEB AD-HOC COMMITTEE (2010–) and TECHNICAL COMMITTEES OF CASCOM (2008–) and CASEO (2009–).

He co-authored a book: *Analog-Baseband Architectures and Circuits for Multistandard and Low-Voltage Wireless Transceivers* (Springer, 2007), and 50+ papers in referred journals and conferences. He holds 1 U.S. patent and several in applications.



R. P. Martins (M'88-SM'99-F'08) received the Bachelor (5-years), Masters, and Ph.D. degrees as well as the *Habilitação* for Full- Professor in electrical engineering and computers from the Department of Electrical and Computer Engineering, Instituto Superior Técnico (IST), TU of Lisbon, Portugal, in 1980, 1985, 1992 and 2001, respectively. He has been with the Department of Electrical and Computer Engineering/IST, TU of Lisbon,

since October 1980. Since 1992, he has been on leave from IST, TU of Lisbon, and is also with the Department of Electrical and Electronics Engineering, Faculty of Science and Technology (FST), University of Macau (UM), Macao, China, where he is a Full-Professor since 1998. In FST he was the Dean of the Faculty from 1994 to 1997 and he has been Vice-Rector of the University of Macau since 1997. From September 2008, after the reform of the UM Charter, he was nominated after open international recruitment as Vice-Rector (Research) until August 31, 2013. Within the scope of his teaching

and research activity he has taught 20 bachelor and master courses and has supervised 22 theses, Ph.D. (9) and Masters (13). He has published: 15 books, co-authoring (4) and co-editing (11), plus 5 book chapters; 185 refereed papers, in scientific journals (36) and in conference proceedings (149); as well as other 70 academic works, in a total of 275 publications, in the areas of microelectronics, electrical and electronics engineering, engineering and university education. He has co-authored also 7 submitted US Patents (1 approved and issued in 2009, 1 classified as “patent pending” and 5 still in the process of application). He has founded the *Analog and Mixed-Signal VLSI Research Laboratory of UM*: http://www.fst.umac.mo/en/lab/ans_vlsi/. Prof. Rui Martins was elevated to IEEE Fellow for his leadership in engineering education. He was the Founding Chairman of the IEEE Macau Section from 2003 to 2005, and of the IEEE Macau Joint-Chapter on Circuits And Systems (CAS)/Communications (COM) from 2005 to 2008 [*World Chapter of the Year 2009* of the *IEEE Circuits And Systems Society (CASS)*]. He was the General Chair of the 2008 IEEE Asia-Pacific Conference on Circuits and Systems-APCCAS'2008, and was elected Vice-President for the Region 10 (Asia, Australia, the Pacific) of the *IEEE Circuits And Systems Society (CASS)*, for the period of 2009 to 2010. He is Associate Editor of the *IEEE TRANSACTIONS ON CIRCUITS AND SYSTEMS II-EXPRESS BRIEFS*, for the period of 2010 to 2011. He was the recipient of 2 government decorations: the *Medal of Professional Merit* from Macao Government (Portuguese Administration) in 1999, and the *Honorary Title of Value* from Macao SAR Government (Chinese Administration) in 2001. In July 2010 he was elected as Corresponding Member of the Academy of Sciences of Lisbon, Portugal.